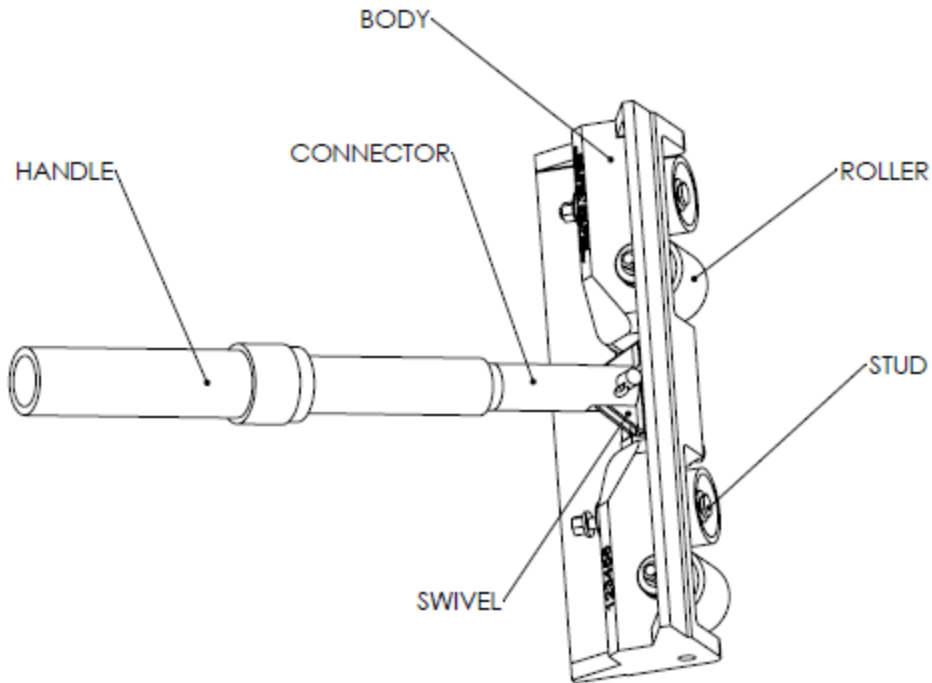


Corner Roller

Operation and Maintenance Guide

Better – Faster – Every time

Model: 15TTE



Corner Roller

Operation and Maintenance Guide

Better – Faster – Every time

Model: 15TTE

Operation

After applying joint tape and compound into the inside angles, embed the tape into the compound using the corner roller (model 15TTE).

Four rollers will embed and smooth the tape while forming a sharp corner.

For best results, start in the middle of the angle joint and, with light pressure, roll towards both ends. Then, again from the middle, work towards both ends with firm pressure. This will force the excess compound from under the tape and prepare the angle for the corner finisher.

The corner roller should be used in conjunction with the automatic taper and the adjustable corner finisher for an efficient, systematic and consistent taping system.

Maintenance

Clean thoroughly after every use, with a brush and water (or a water hose) to remove all joint compound from the tool. Then, after the tool is clean, lightly oil the rollers with Ames® Bazooka® Oil or any light machine oil

